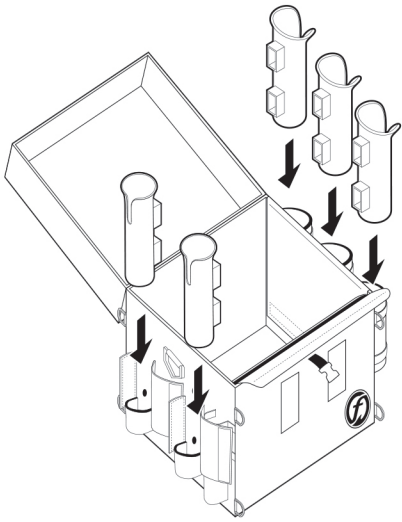
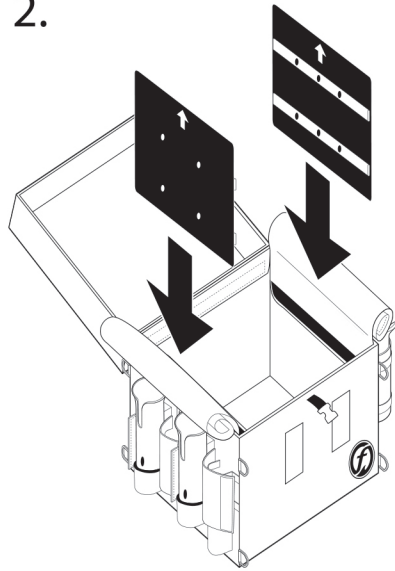


1.



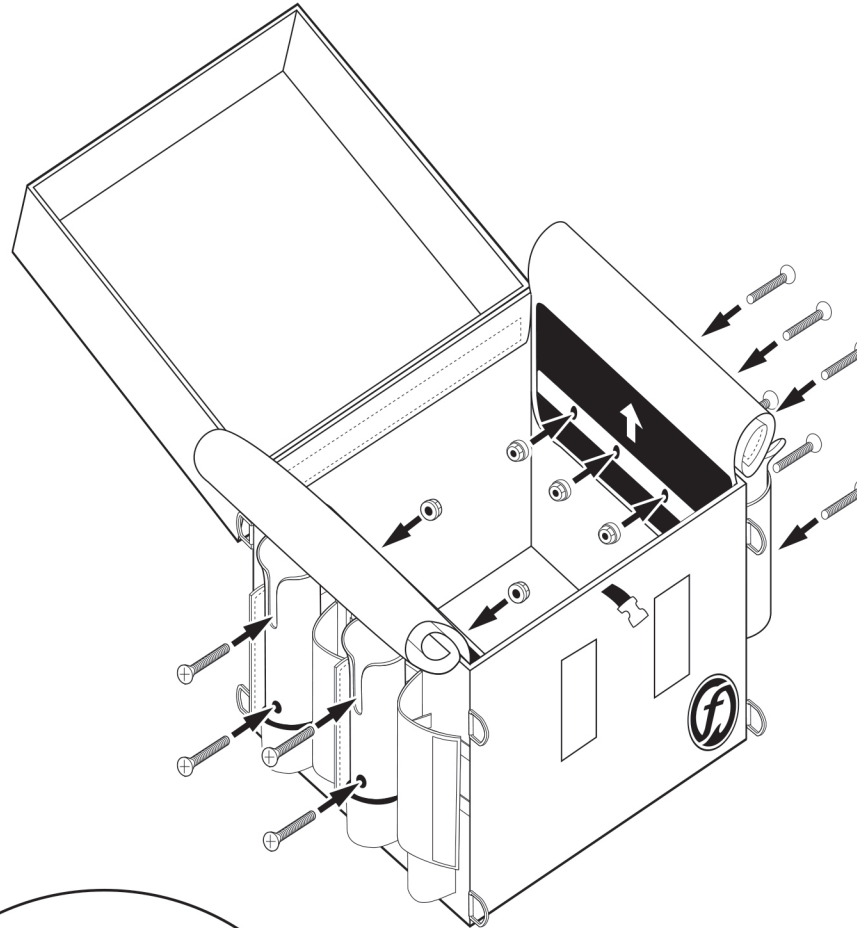
Slide the rod holders into the pouches on the left and right side of the crate bag.

2.



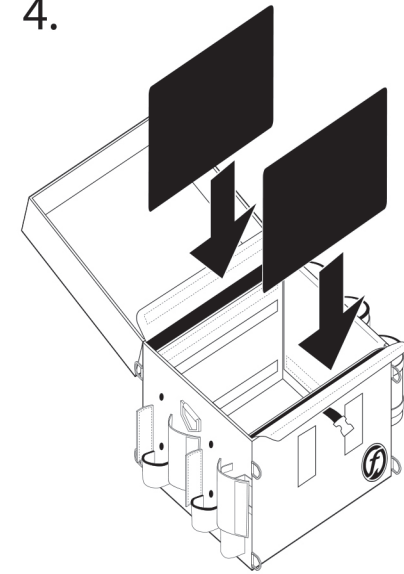
Insert the plastic sheets with the aluminum braces facing towards the inside of the crate bag on the left and right side of the crate bag with the arrows pointing up.

3.



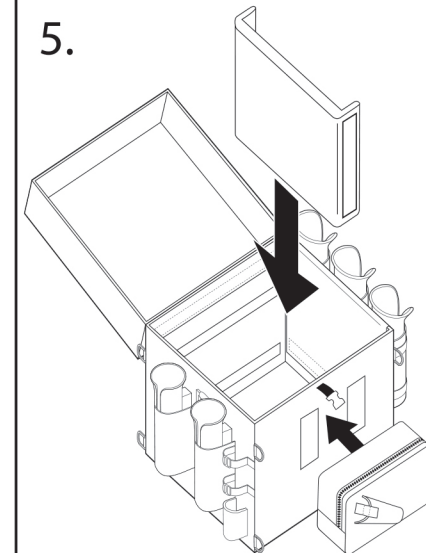
Attach the rod holders with the included hardware. Use tape to hold the screw to the screwdriver for easier installation .

4.



Insert the plastic sheets in the front and rear pouches with the foam side facing towards the inside of the crate bag and the arrows pointing up .

5.



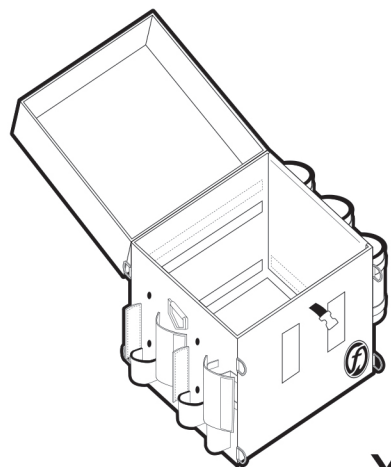
Add the divider to the inside of the crate bag if desired.

feelfree®

CRATE BAG
INSTALLATION GUIDE

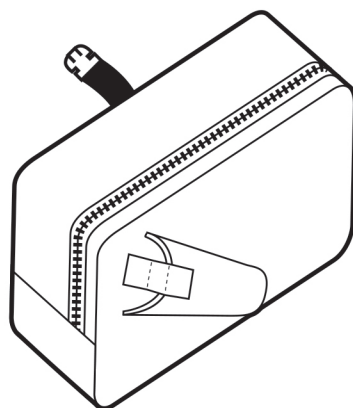
FEELFREEUS.COM

CRATE BAG PARTS



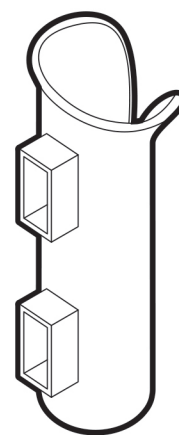
x 1

Crate Bag



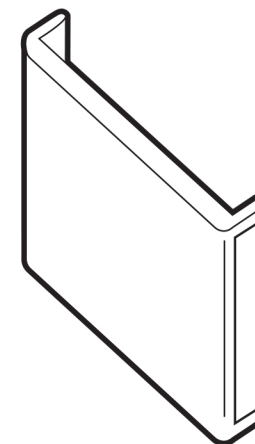
x 1

Small Pocket



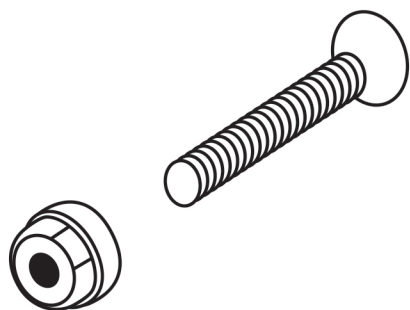
x 5

Rod Holder



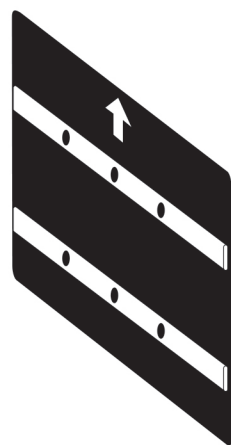
x 1

Divider



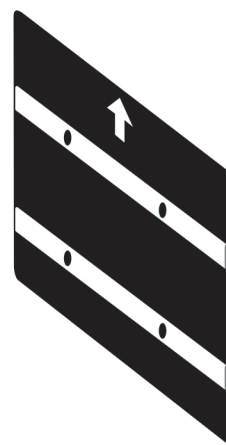
x 10

Nuts and Bolts



x 1

Plastic Sheet with 6 holes aluminum braces



x 1

Plastic Sheet with 4 holes aluminum braces



x 2

Plastic Sheet